

## Electrical & Mechanical Cable Management Support Systems



- Unistrut® Channel and Metal Framing
- Cable Tray
- Cable Ladder
- Cable Basket
- Pipe and Cable Clamps

# Here's why UNISTRUT® Solutions will benefit Your Company:

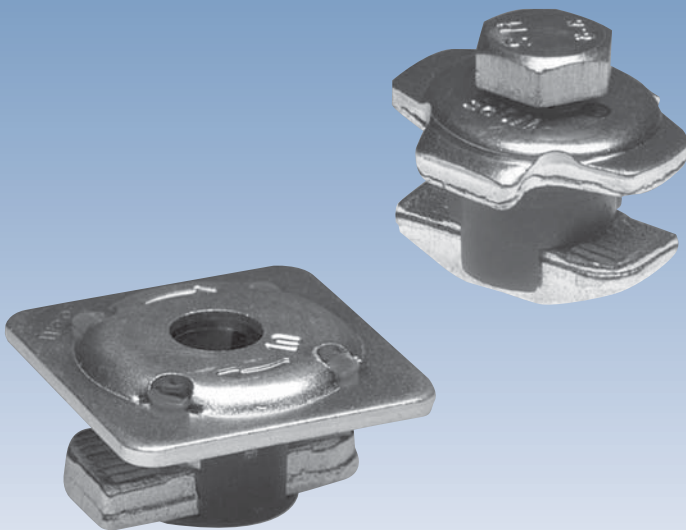
Our mission is to provide innovative solutions and superior service to our customers.

We are committed to operational excellence and continuously improve everything we do.

Unistrut products and services are renowned for excellent quality and customised flexibility.

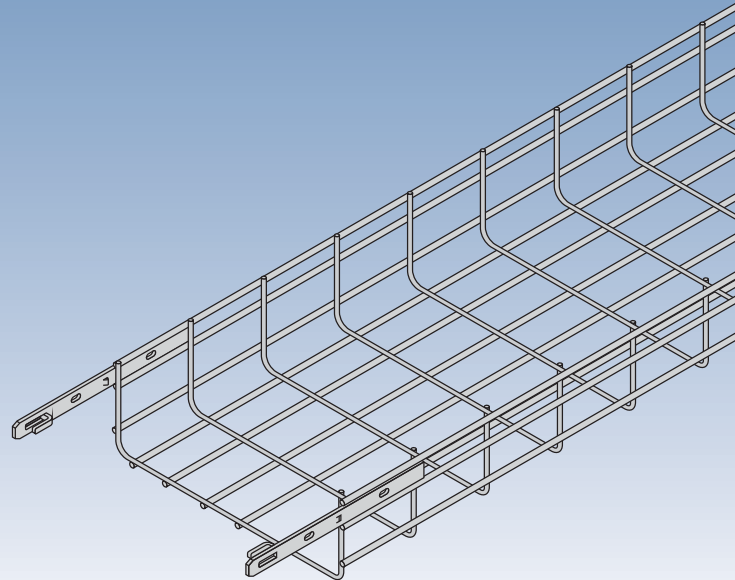
## New Innovative KWIKSTRUT

See pages 40 to 46 for details on the new Rapid Installation Metal Framing System.



## Innovative CABLE MANAGEMENT Solutions

See pages 59 to 68 for details on our innovative self splicing Basket Tray.



## Unistrut Major Projects

We have a team dedicated to Major UK and European Projects specifically dealing with the major Oil and Petrochemical Companies.

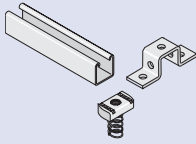


Certificate No. FM 00825

## Unistrut Specials Service NOW AVAILABLE

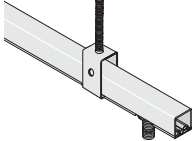
Special Cut Length Channels and Specialist Brackets for a bespoke solution

See page 13 for product examples and information **DEBRO**



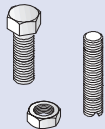
**Support Systems**

**5 - 30**



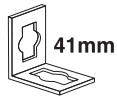
**Lighting Supports**

**31 - 32**



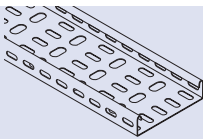
**Fixings**

**33 - 39**



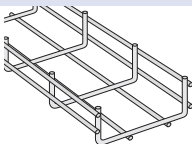
**Kwikstrut**

**40 - 46**



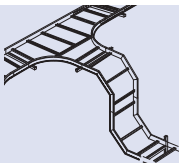
**Cable Tray**

**47 - 58**



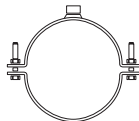
**Basket Tray**

**59 - 68**



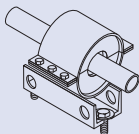
**Cable Ladder**

**69 - 75**



**Pipe Clips**

**76 - 90**



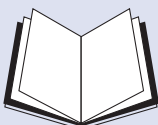
**Slides & Fixpoints**

**91 - 100**

- PO** Plain Oiled
- PG** Pre Galvanised
- HG** Hot Dip Galvanised
- SS** Stainless Steel
- ZP** Zinc Plated

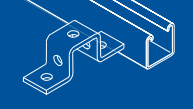
**Materials & Finishes**

**101**



**Part Number Index**

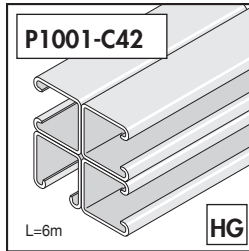
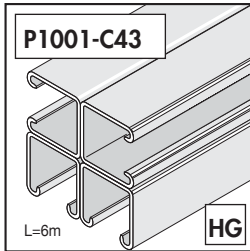
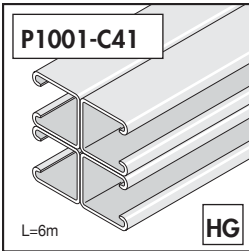
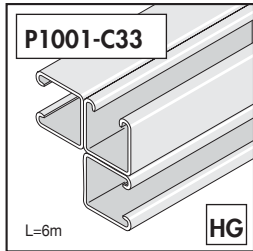
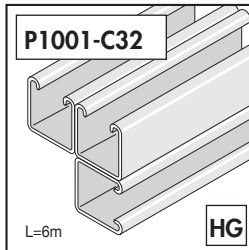
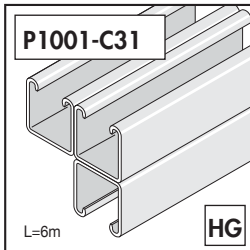
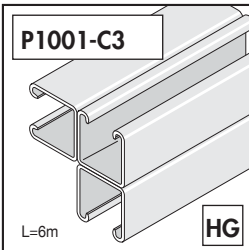
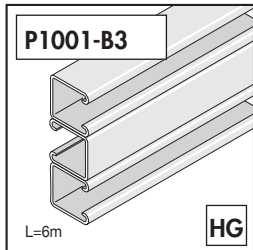
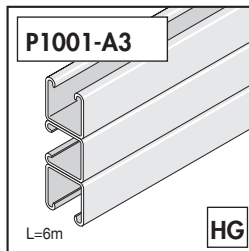
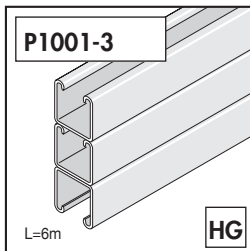
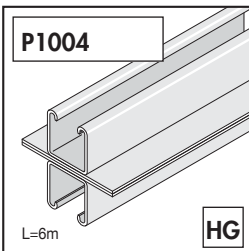
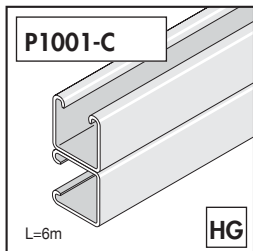
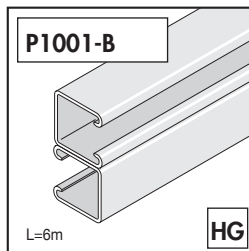
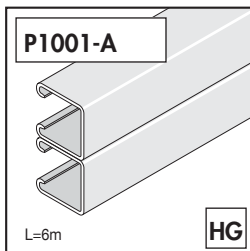
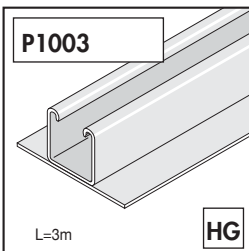
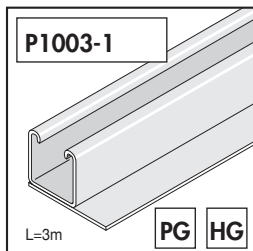
**102 - 106**



# UNISTRUT P1000 SPECIAL CHANNELS

P1000 Special Channels require a minimum order quantity

SUPPORT  
SYSTEMS



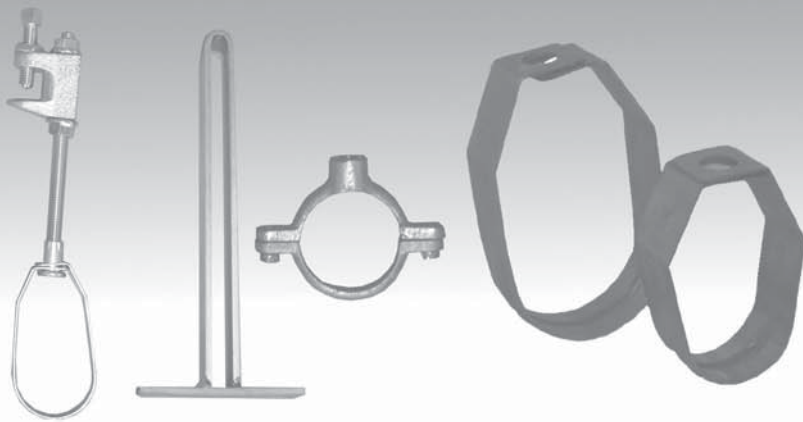


# UNISTRUT®

## SPECIALS SERVICE

*Specialists in cut lengths for Unistrut Channel & Threaded Rod!*

*We provide a unique service that targets special fabrication and presswork supports, manufactured to your requirements and delivered to site in exceptional lead times.*



*Send your drawings or enquiries to us and we will resolve your issues, using our technical manufacturing experience. Ordering, production and dispatch are all dealt with under one roof, with unparalleled value and service*

*Also any Unistrut product can be adapted to your specific needs. No quantity is too large and we are always happy to help.*

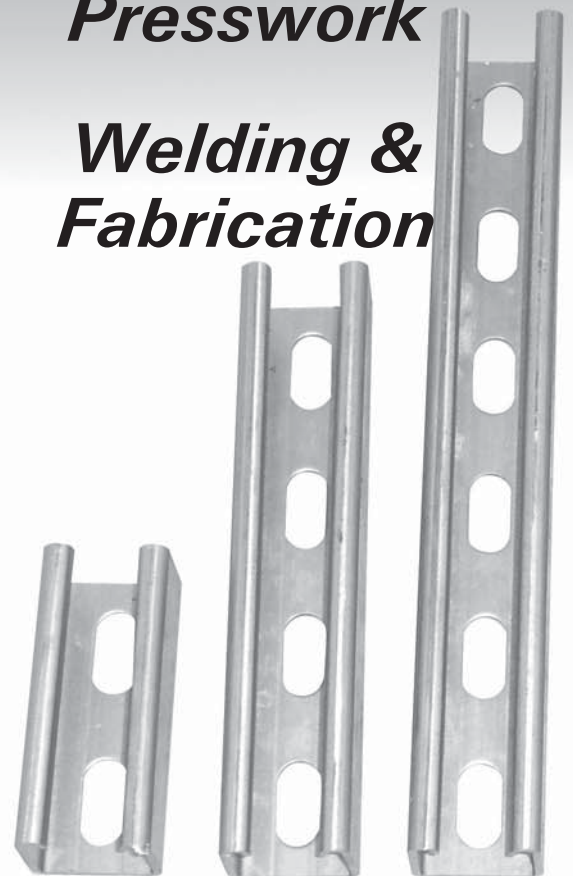
**Bracketry**

**Pipe Hangers**

**Supports**

**Presswork**

**Welding & Fabrication**





# UNISTRUT

## 90° Angle fittings

SUPPORT SYSTEMS

**P1346** **HG** **SS**

Part No.	Finish		Weight	Quantity
	HG	SS		
P1346	•	•	0.26	25

**P1037** **HG** **SS**

Part No.	Finish		Weight	Quantity
	HG	SS		
P1037	•	•	0.26	25

**P1458** **HG** **SS**

Part No.	Finish		Weight	Quantity
	HG	SS		
P1458	•	•	0.26	25

**P1038** **HG**

Part No.	Finish		Weight	Quantity
	HG	SS		
P1038	•		0.26	25

**P1278** **HG** **SS**

Part No.	Finish		Weight	Quantity
	HG	SS		
P1278	•	•	0.26	25

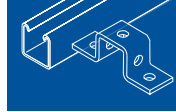
**P1359** **HG** **SS**

Part No.	Finish		Weight	Quantity
	HG	SS		
P1359	•	•	0.48	25

**P1727** **HG** **SS**

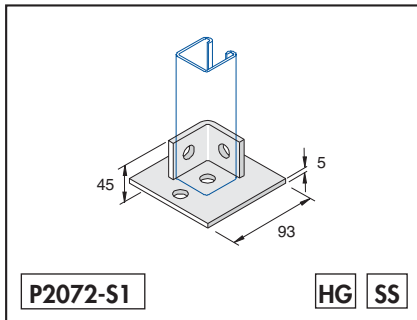
Part No.	Finish		Weight	Quantity
	HG	SS		
P1727	•	•	0.70	10

Stated loadings apply to mild steel products only.

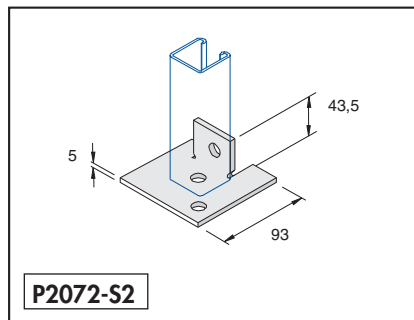


## Base fittings & wing fittings

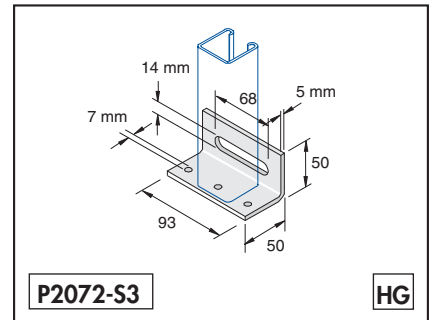
SUPPORT SYSTEMS



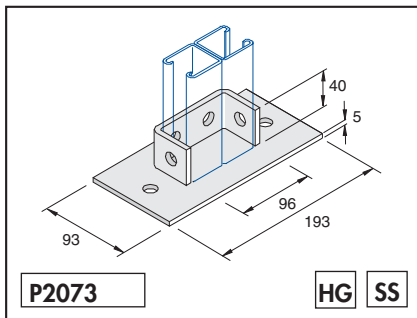
Part No.	Finish		Weight	Quantity
	HG	SS		
P2072-S1	•	•	0.48	10



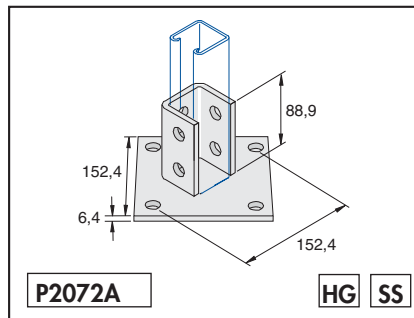
Part No.	Finish		Weight	Quantity
	HG	SS		
P2072-S2	•	•	0.33	10



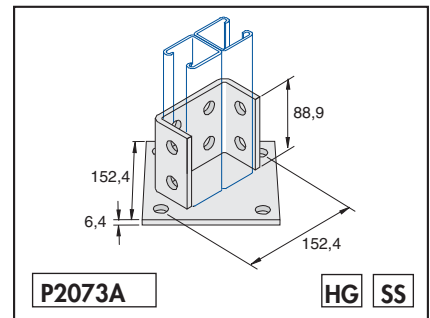
Part No.	Finish		Weight	Quantity
	HG	SS		
P2072-S3	•		0.30	10



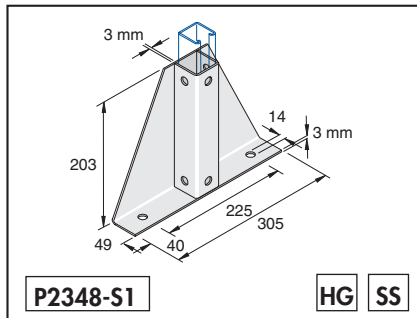
Part No.	Finish		Weight	Quantity
	HG	SS		
P2073	•	•	0.98	10



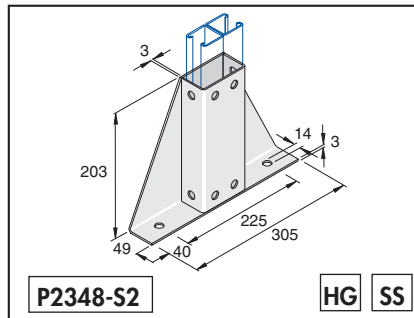
Part No.	Finish		Weight	Quantity
	HG	SS		
P2072A	•	•	1.70	10



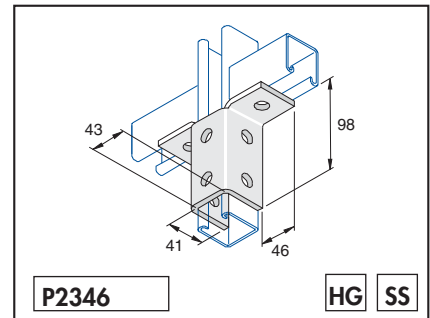
Part No.	Finish		Weight	Quantity
	HG	SS		
P2073A	•	•	1.80	10



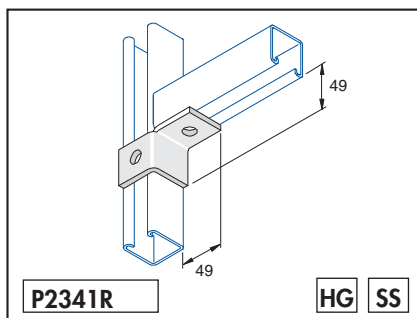
Part No.	Finish		Weight	Quantity
	HG	SS		
P2348-S1	•	•	1.95	1



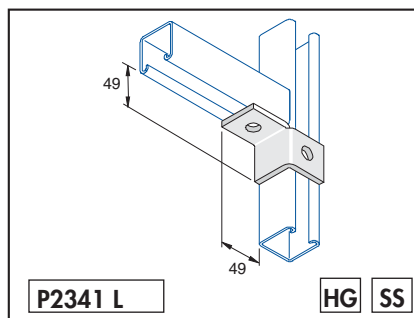
Part No.	Finish		Weight	Quantity
	HG	SS		
P2348-S2	•	•	2.15	1



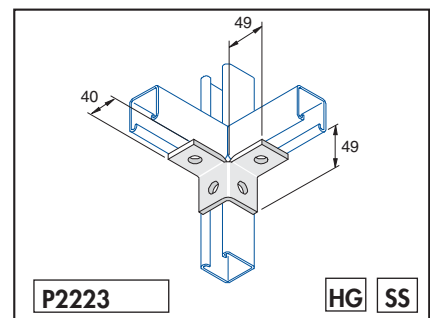
Part No.	Finish		Weight	Quantity
	HG	SS		
P2346	•	•	0.68	10



Part No.	Finish		Weight	Quantity
	HG	SS		
P2341R	•	•	0.21	25



Part No.	Finish		Weight	Quantity
	HG	SS		
P2341L	•	•	0.21	25

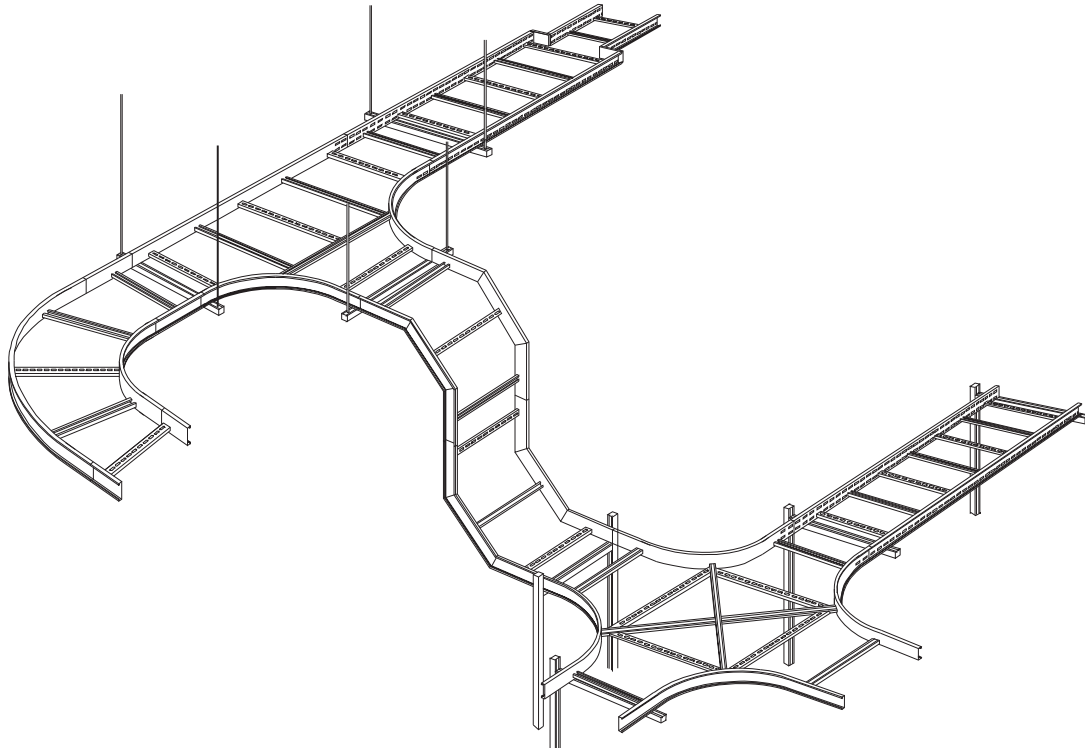


Part No.	Finish		Weight	Quantity
	HG	SS		
P2223	•	•	0.35	25

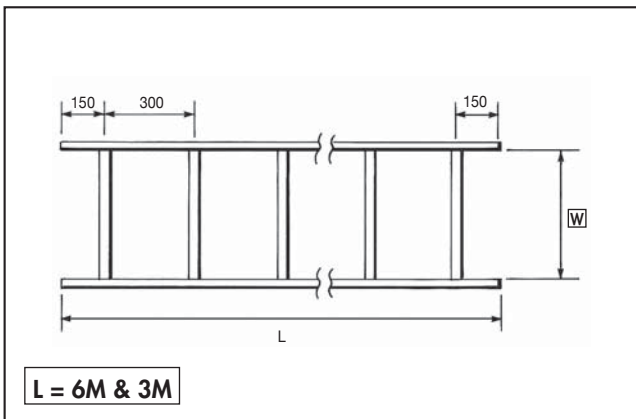


# CABLE LADDER

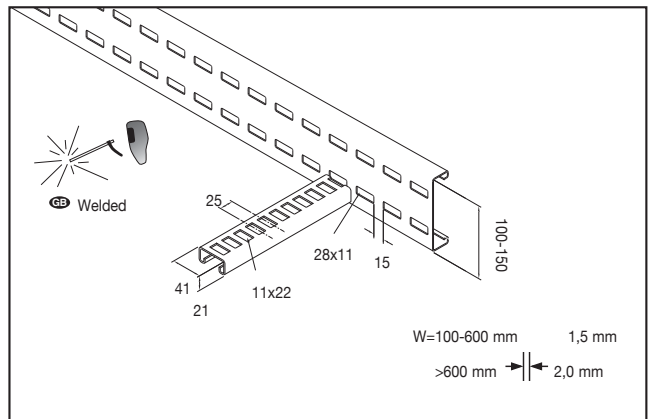
## Standard dimensions



### Rung distance

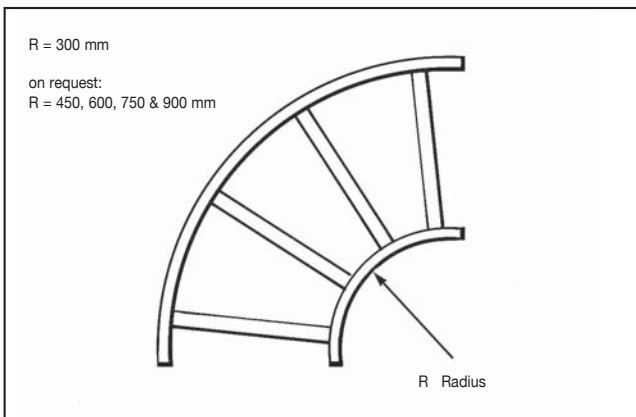


### Rung dimensions



CABLE LADDER

### Fitting radius

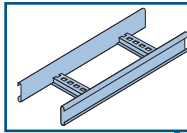


### Possible widths & radius

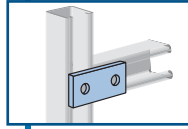
Standard Widths		By Request		Radii	
W		W		R	
15	= 150 mm	10	= 100 mm	30	= 300 mm (standard)
30	= 300 mm	20	= 200 mm	45	= 450 mm
45	= 450 mm	40	= 400 mm	60	= 600 mm
60	= 600 mm	50	= 500 mm	75	= 750 mm
75	= 750 mm	70	= 700 mm	90	= 900 mm
90	= 900 mm	80	= 800 mm		
		00	= 1000 mm		



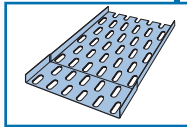
## • CABLE LADDER



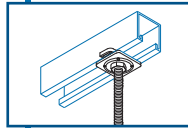
## • UNISTRUT SYSTEM



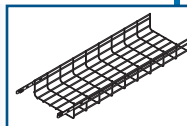
## • CABLE TRAY



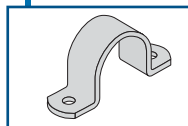
## • KWIKSTRUT SYSTEM



## • ACROFIL BASKET



## • PIPE / CABLE CLAMPS



## Unistrut Ltd

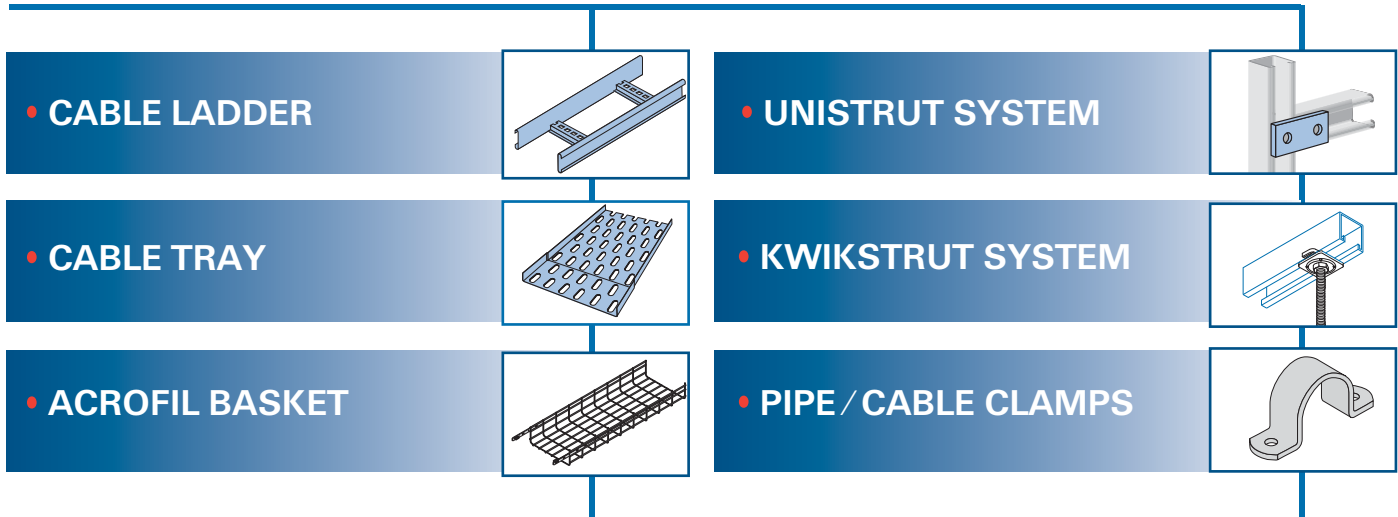
Delta Point Industrial Est.  
Greets Green Road  
West Bromwich  
B70 9PL England

Tel: + 44 (0) 121 580 6300

Fax: + 44 (0) 121 580 6364

# UNISTRUT®

## Unistrut® Family of Innovative Products



Electrical & Mechanical Solutions

[www.unistrut.co.uk](http://www.unistrut.co.uk)

• Unistrut® Metal Framing • Unistrut® Cable Trays and Cable Ladders

The trademarks, logos, and service marks displayed on this brochure are owned or licensed by Tyco Int., or its subsidiaries, affiliates, and others (collectively "Trademarks").  
All Trademarks not owned by Tyco Int. are the property of their respective owners, and are used with permission or allowed under applicable laws.

© Copyright 2010 Tyco International • All Rights Reserved • 9/10